

SECTION 3

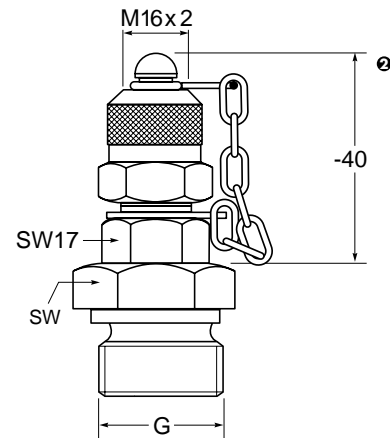
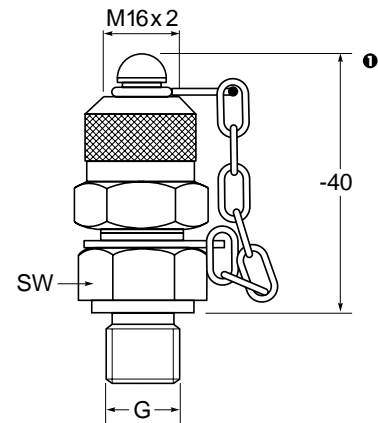


DIAGNOSTICS AND GAUGES

H900 SERIES TEST CONNECTORS

TEST CONNECTORS – M16 x 2 with Metal Cap

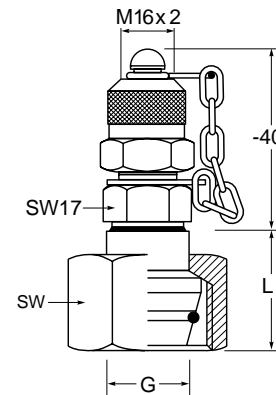
PART NUMBER	WORKING PRESSURE	FIGURE	HEX (mm) SW	THREAD G
H900-10	9100 PSI	1	17	5/16"-24 UNF
H900-11	9100 PSI	1	17	7/16"-20 UNF
H900-12	9100 PSI	2	19	9/16"-18 UNF
H900-13	9100 PSI	2	24	3/4"-16 UNF
H900-20	9100 PSI	1	17	1/8" NPT
H900-21	9100 PSI	1	19	1/4" NPT
H900-22	9100 PSI	1	19	3/8" NPT
H900-23	9100 PSI	2	24	1/2" NPT
H900-01	9100 PSI	1	17	M8 x 1
H900-25	9100 PSI	1	17	M10 x 1
H900-26	9100 PSI	1	17	M12 x 1.5
H900-27	9100 PSI	1	19	M14 x 1.5
H900-28	9100 PSI	1	22	M16 x 1.5
H900-02	9100 PSI	2	27	M18 x 1.5
H900-03	9100 PSI	2	27	M20 x 1.5
H900-04	9100 PSI	2	27	M22 x 1.5
H900-05	9100 PSI	2	32	M26 x 1.5
H900-06	9100 PSI	2	36	M27 x 2
H900-07	9100 PSI	2	41	M33 x 2
H900-08	9100 PSI	2	50	M42 x 2
H900-09	9100 PSI	2	60	M48 x 2
H900-30	9100 PSI	1	17	1/8" BSPP
H900-31	9100 PSI	1	19	1/4" BSPP
H900-32	9100 PSI	1	22	3/8" BSPP
H900-33	9100 PSI	2	27	1/2" BSPP
H900-34	9100 PSI	2	36	3/4" BSPP
H900-35	9100 PSI	2	41	1" BSPP
H900-36	9100 PSI	2	50	1 1/4" BSPP
H900-37	9100 PSI	2	60	1 1/2" BSPP
H900-38	9100 PSI	1	17	1/8" BSPT
H900-39	9100 PSI	1	19	1/4" BSPT



H900 SERIES TEST CONNECTORS (CONTINUED)

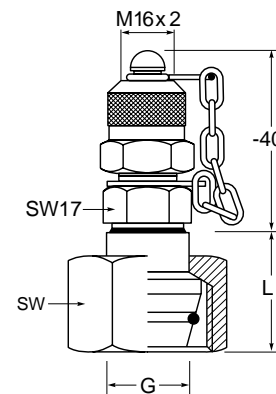
DKO -TEST CONNECTOR for Metric Bite-Ring Fittings DIN 2353 24° Taper Adapter/Light Duty

PART NUMBER	WORKING PRESSURE	TUBE SIZE	HEX (mm) SW	THREAD G
H900-50	3625 PSI	6	14	M12 x 1.5
H900-51	3625 PSI	8	17	M14 x 1.5
H900-52	3625 PSI	10	19	M16 x 1.5
H900-53	3625 PSI	12	22	M18 x 1.5
H900-54	3625 PSI	15	27	M22 x 1.5
H900-55	3625 PSI	18	32	M26 x 1.5
H900-56	3625 PSI	22	36	M30 x 2
H900-57	3625 PSI	28	41	M36 x 2
H900-58	3625 PSI	35	50	M45 x 2
H900-59	3625 PSI	42	60	M52 x 2



DKO -TEST CONNECTOR for Metric Bite-Ring Fittings DIN 2353 24° Taper Adapter/Heavy Duty

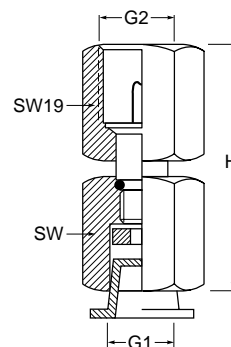
PART NUMBER	WORKING PRESSURE	TUBE SIZE	HEX (mm) SW	THREAD G
H900-60	9100 PSI	6	17	M14 x 1.5
H900-61	9100 PSI	8	19	M16 x 1.5
H900-62	9100 PSI	10	22	M18 x 1.5
H900-63	9100 PSI	12	24	M20 x 1.5
H900-64	9100 PSI	14	27	M22 x 1.5
H900-65	9100 PSI	16	30	M24 x 1.5
H900-66	9100 PSI	20	36	M30 x 2
H900-67	9100 PSI	25	46	M36 x 2
H900-68	9100 PSI	30	50	M42 x 2
H900-69	9100 PSI	38	60	M52 x 2



H900 SERIES DIRECT GAUGE CONNECTORS

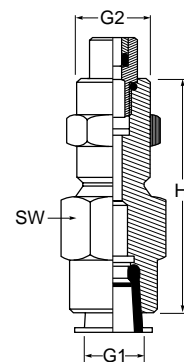
M16 x 2 DIRECT GAUGE CONNECTOR

PART NUMBER	WORKING PRESSURE	THREAD G2	HEX (mm) SW	H (IN)	THREAD G1
H900-84	5880 PSI	M16 x 2	19	1.77	1/4" BSPP
H900-85	5880 PSI	M16 x 2	27	2.00	1/2" BSPP
H900-86	5880 PSI	M16 x 2	19	1.97	1/4" NPT F
H900-87	5880 PSI	M16 x 2	27	2.20	1/2" NPT F
H900-91	5880 PSI	M16 x 2	22	1.93	7/16"-20 UNF



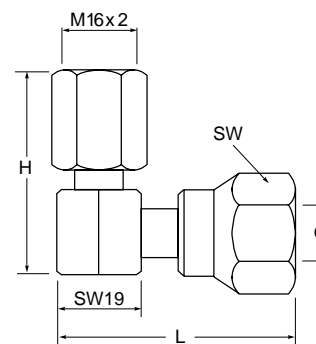
M16 x 2 GAUGE CONNECTOR

PART NUMBER	WORKING PRESSURE	THREAD G2	HEX (mm) SW	H (IN)	THREAD G1
H900-80	5880 PSI	M16 x 2	19	1.89	1/4" BSPP
H900-81	5880 PSI	M16 x 2	27	2.05	1/2" BSPP
H900-82	5880 PSI	M16 x 2	19	1.97	1/4" NPT
H900-83	5880 PSI	M16 x 2	27	2.36	1/2" NPT
H900-90	5880 PSI	M16 x 2	22	1.89	7/16"-20 UNF



M16 x 2 DIRECT GAUGE CONNECTOR – 90° ELBOW

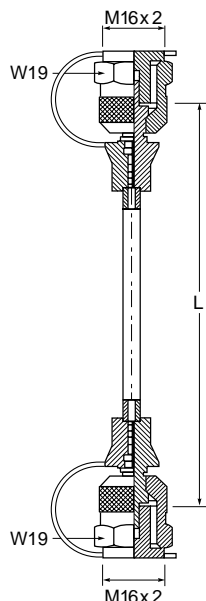
PART NUMBER	WORKING PRESSURE	L (IN)	HEX (mm) SW	H (IN)	THREAD G1
H900-70	9100 PSI	1.97	19	1.69	1/4" BSPP
H900-71	9100 PSI	1.97	27	1.69	1/2" BSPP
H900-72	9100 PSI	1.97	19	1.69	1/4" NPT F
H900-73	9100 PSI	1.97	27	1.69	1/2" NPT F



H900 SERIES HIGH PRESSURE MICRO HOSE ASSEMBLIES

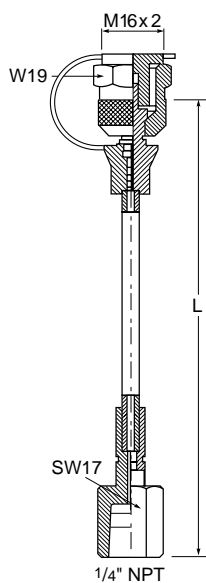
HIGH PRESSURE HOSES M16 x 2 to M16 x 2

PART NUMBER	WORKING PRESSURE	LENGTH (IN)
H900-92-08	9100 PSI	8
H900-92-10	9100 PSI	10
H900-92-12	9100 PSI	12
H900-92-16	9100 PSI	16
H900-92-20	9100 PSI	20
H900-92-24	9100 PSI	24
H900-92-30	9100 PSI	30
H900-92-32	9100 PSI	32
H900-92-40	9100 PSI	40
H900-92-60	9100 PSI	60
H900-92-72	9100 PSI	72
H900-92-78	9100 PSI	78
H900-92-98	9100 PSI	98
H900-92-125	9100 PSI	125
H900-92-130	9100 PSI	130
H900-92-158	9100 PSI	158
H900-92-197	9100 PSI	197
H900-92-236	9100 PSI	236



HIGH PRESSURE HOSES M16 x 2 to 1/4" NPT F

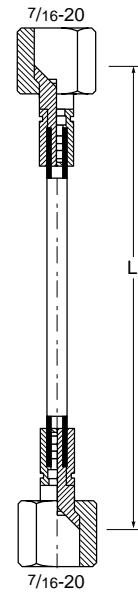
PART NUMBER	WORKING PRESSURE	LENGTH (IN)
H900-993-08	9100 PSI	8
H900-993-10	9100 PSI	10
H900-993-12	9100 PSI	12
H900-993-16	9100 PSI	16
H900-993-20	9100 PSI	20
H900-993-24	9100 PSI	24
H900-993-30	9100 PSI	30
H900-993-32	9100 PSI	32
H900-993-40	9100 PSI	40
H900-993-60	9100 PSI	60
H900-993-78	9100 PSI	78
H900-993-98	9100 PSI	98
H900-993-125	9100 PSI	125
H900-993-157	9100 PSI	157



H900 SERIES HIGH PRESSURE MICRO HOSE ASSEMBLIES (CONTINUED)

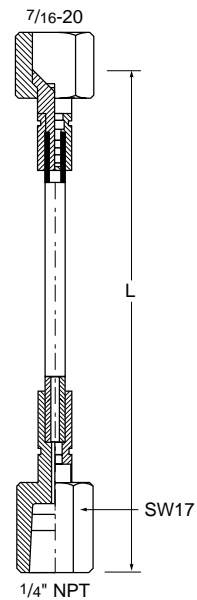
HIGH PRESSURE HOSES 7/16 -20 to 7/16 -20 UNF

PART NUMBER	WORKING PRESSURE	LENGTH (IN)
H900-994-08	9100 PSI	8
H900-994-10	9100 PSI	10
H900-994-12	9100 PSI	12
H900-994-16	9100 PSI	16
H900-994-18	9100 PSI	18
H900-994-20	9100 PSI	20
H900-994-24	9100 PSI	24
H900-994-30	9100 PSI	30
H900-994-32	9100 PSI	32
H900-994-40	9100 PSI	40
H900-994-60	9100 PSI	60
H900-994-72	9100 PSI	72
H900-994-78	9100 PSI	78
H900-994-98	9100 PSI	98
H900-994-125	9100 PSI	125
H900-994-157	9100 PSI	157



HIGH PRESSURE HOSES 7/16 -20 UNF to 1/4" NPT F

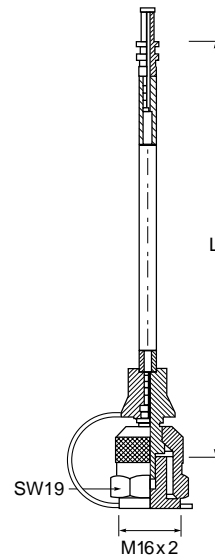
PART NUMBER	WORKING PRESSURE	LENGTH (IN)
H900-995-08	9100 PSI	8
H900-995-10	9100 PSI	10
H900-995-12	9100 PSI	12
H900-995-16	9100 PSI	16
H900-995-18	9100 PSI	18
H900-995-20	9100 PSI	20
H900-995-24	9100 PSI	24
H900-995-30	9100 PSI	30
H900-995-32	9100 PSI	32
H900-995-40	9100 PSI	40
H900-995-60	9100 PSI	60
H900-995-78	9100 PSI	78
H900-995-98	9100 PSI	98
H900-995-125	9100 PSI	125
H900-995-157	9100 PSI	157



H900 SERIES HIGH PRESSURE MICRO HOSE ASSEMBLIES (CONTINUED)

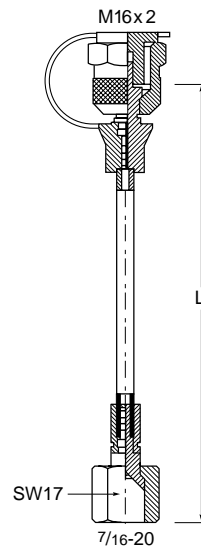
HIGH PRESSURE HOSES M16 x 2 to Nipple for M16 x 2 / DN2

PART NUMBER	WORKING PRESSURE	LENGTH (IN)
H900-997-08	9100 PSI	8
H900-997-10	9100 PSI	10
H900-997-12	9100 PSI	12
H900-997-16	9100 PSI	16
H900-997-20	9100 PSI	20
H900-997-24	9100 PSI	24
H900-997-30	9100 PSI	30
H900-997-32	9100 PSI	32
H900-997-40	9100 PSI	40
H900-997-60	9100 PSI	60
H900-997-78	9100 PSI	78
H900-997-98	9100 PSI	98
H900-997-125	9100 PSI	125
H900-997-157	9100 PSI	157



HIGH PRESSURE HOSES M16 x 2 to 7/16-20 / DN2

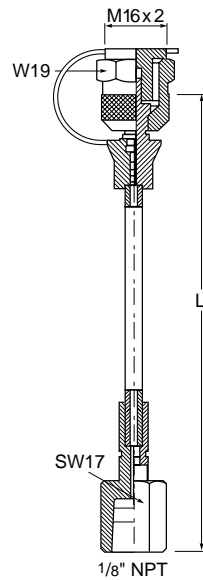
PART NUMBER	WORKING PRESSURE	LENGTH (IN)
H900-996-08	9100 PSI	8
H900-996-10	9100 PSI	10
H900-996-12	9100 PSI	12
H900-996-16	9100 PSI	16
H900-996-20	9100 PSI	20
H900-996-24	9100 PSI	24
H900-996-30	9100 PSI	30
H900-996-32	9100 PSI	32
H900-996-40	9100 PSI	40
H900-996-60	9100 PSI	60
H900-996-78	9100 PSI	78
H900-996-98	9100 PSI	98
H900-996-125	9100 PSI	125
H900-996-157	9100 PSI	157



H900 SERIES HIGH PRESSURE MICRO HOSE ASSEMBLIES (CONTINUED)

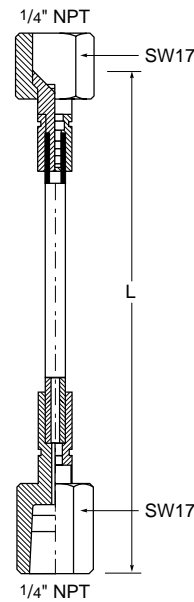
HIGH PRESSURE HOSES M16 x 2 to 1/8" NPT F

PART NUMBER	WORKING PRESSURE	LENGTH (IN)
H900-998-10	9100 PSI	10
H900-998-12	9100 PSI	12
H900-998-16	9100 PSI	16
H900-998-20	9100 PSI	20
H900-998-24	9100 PSI	24
H900-998-30	9100 PSI	30
H900-998-32	9100 PSI	32
H900-998-40	9100 PSI	40
H900-998-60	9100 PSI	60
H900-998-78	9100 PSI	78
H900-989-98	9100 PSI	98
H900-998-125	9100 PSI	125
H900-998-157	9100 PSI	157

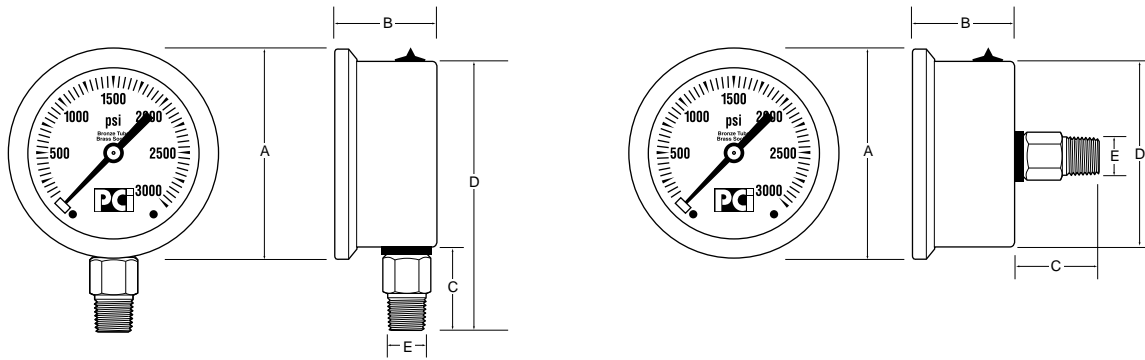


HIGH PRESSURE HOSES 1/4 NPT F to 1/4" NPT F

PART NUMBER	WORKING PRESSURE	LENGTH (IN)
H900-999-08	9100 PSI	8
H900-999-10	9100 PSI	10
H900-999-12	9100 PSI	12
H900-999-16	9100 PSI	16
H900-999-20	9100 PSI	20
H900-999-24	9100 PSI	24
H900-999-30	9100 PSI	30
H900-999-32	9100 PSI	32
H900-999-40	9100 PSI	40
H900-999-60	9100 PSI	60
H900-999-78	9100 PSI	78
H900-999-98	9100 PSI	98
H900-999-125	9100 PSI	125
H900-999-157	9100 PSI	157



PCLG SERIES – 2 1/2" STAINLESS CASE PRESSURE GAUGES



PART NUMBER	PRESSURE RANGE	CONNECTION (E)	SCALE	A	B	C	D
PCLG-30-0V	-30HG – 0 PSI	1/4" BOTTOM	PSI/BAR (x100=kPa)	2.80	1.28	1.07	3.55
PCLG-3030-C	-30HG – 30 PSI	1/4" BOTTOM	PSI/BAR (x100=kPa)	2.80	1.28	1.07	3.55
PCLG-30P	0 – 30 PSI	1/4" BOTTOM	PSI/BAR (x100=kPa)	2.80	1.28	1.07	3.55
PCLG-60P	0 – 60 PSI	1/4" BOTTOM	PSI/BAR (x100=kPa)	2.80	1.28	1.07	3.55
PCLG-100P	0 – 100 PSI	1/4" BOTTOM	PSI/BAR (x100=kPa)	2.80	1.28	1.07	3.55
PCLG-160P	0 – 160 PSI	1/4" BOTTOM	PSI/BAR (x100=kPa)	2.80	1.28	1.07	3.55
PCLG-200P	0 – 200 PSI	1/4" BOTTOM	PSI/BAR (x100=kPa)	2.80	1.28	1.07	3.55
PCLG-300P	0 – 300 PSI	1/4" BOTTOM	PSI/BAR (x100=kPa)	2.80	1.28	1.07	3.55
PCLG-600P	0 – 600 PSI	1/4" BOTTOM	PSI/BAR (x100=kPa)	2.80	1.28	1.07	3.55
PCLG-1000P	0 – 1000 PSI	1/4" BOTTOM	PSI/BAR (x100=kPa)	2.80	1.28	1.07	3.55
PCLG-2000P	0 – 2000 PSI	1/4" BOTTOM	PSI/BAR (x100=kPa)	2.80	1.28	1.07	3.55
PCLG-3000P	0 – 3000 PSI	1/4" BOTTOM	PSI/BAR (x100=kPa)	2.80	1.28	1.07	3.55
PCLG-5000P	0 – 5000 PSI	1/4" BOTTOM	PSI/BAR (x100=kPa)	2.80	1.28	1.07	3.55
PCLG-10,000P	0 – 10,000 PSI	1/4" BOTTOM	PSI/BAR (x100=kPa)	2.80	1.28	1.07	3.55

PART NUMBER	PRESSURE RANGE	CONNECTION (E)	SCALE	A	B	C	D
PCLG-30-0V-B	-30HG – 0 PSI	1/4" CENTER BACK	PSI/BAR (x100=kPa)	2.80	1.28	1.07	2.48
PCLG-3030-C-B	-30HG – 30 PSI	1/4" CENTER BACK	PSI/BAR (x100=kPa)	2.80	1.28	1.07	2.48
PCLG-30P-B	0 – 30 PSI	1/4" CENTER BACK	PSI/BAR (x100=kPa)	2.80	1.28	1.07	2.48
PCLG-60P-B	0 – 60 PSI	1/4" CENTER BACK	PSI/BAR (x100=kPa)	2.80	1.28	1.07	2.48
PCLG-100P-B	0 – 100 PSI	1/4" CENTER BACK	PSI/BAR (x100=kPa)	2.80	1.28	1.07	2.48
PCLG-160P-B	0 – 160 PSI	1/4" CENTER BACK	PSI/BAR (x100=kPa)	2.80	1.28	1.07	2.48
PCLG-200P-B	0 – 200 PSI	1/4" CENTER BACK	PSI/BAR (x100=kPa)	2.80	1.28	1.07	2.48
PCLG-300P-B	0 – 300 PSI	1/4" CENTER BACK	PSI/BAR (x100=kPa)	2.80	1.28	1.07	2.48
PCLG-600P-B	0 – 600 PSI	1/4" CENTER BACK	PSI/BAR (x100=kPa)	2.80	1.28	1.07	2.48
PCLG-1000P-B	0 – 1000 PSI	1/4" CENTER BACK	PSI/BAR (x100=kPa)	2.80	1.28	1.07	2.48
PCLG-2000P-B	0 – 2000 PSI	1/4" CENTER BACK	PSI/BAR (x100=kPa)	2.80	1.28	1.07	2.48
PCLG-3000P-B	0 – 3000 PSI	1/4" CENTER BACK	PSI/BAR (x100=kPa)	2.80	1.28	1.07	2.48
PCLG-5000P-B	0 – 5000 PSI	1/4" CENTER BACK	PSI/BAR (x100=kPa)	2.80	1.28	1.07	2.48
PCLG-10,000P-B	0 – 10,000 PSI	1/4" CENTER BACK	PSI/BAR (x100=kPa)	2.80	1.28	1.07	2.48

ACCESSORIES:

PART NUMBER	DESCRIPTION
PC-01	BACK MOUNT PANEL CLAMP
PC-02	PANEL FLANGE

CONSTRUCTION: STAINLESS STEEL CASE
BRONZE BOURDON TUBE
GLYCERINE FILLED

ACCURACY: 1.5% FULL SCALE
TEMPERATURE: -30°F – 160°F

PGI 1-800-322-9527