

SECTION 5



PIPE, TUBE AND HOSE CLAMPS

STANDARD SERIES CLAMPS – ORDERING EXAMPLE

****A3 – 21.3 – A**

CLAMP SET MATERIAL	
Polypropylene (Green)	A
Polyamide*	MA
Rubber*	RA

* SPECIAL ORDER

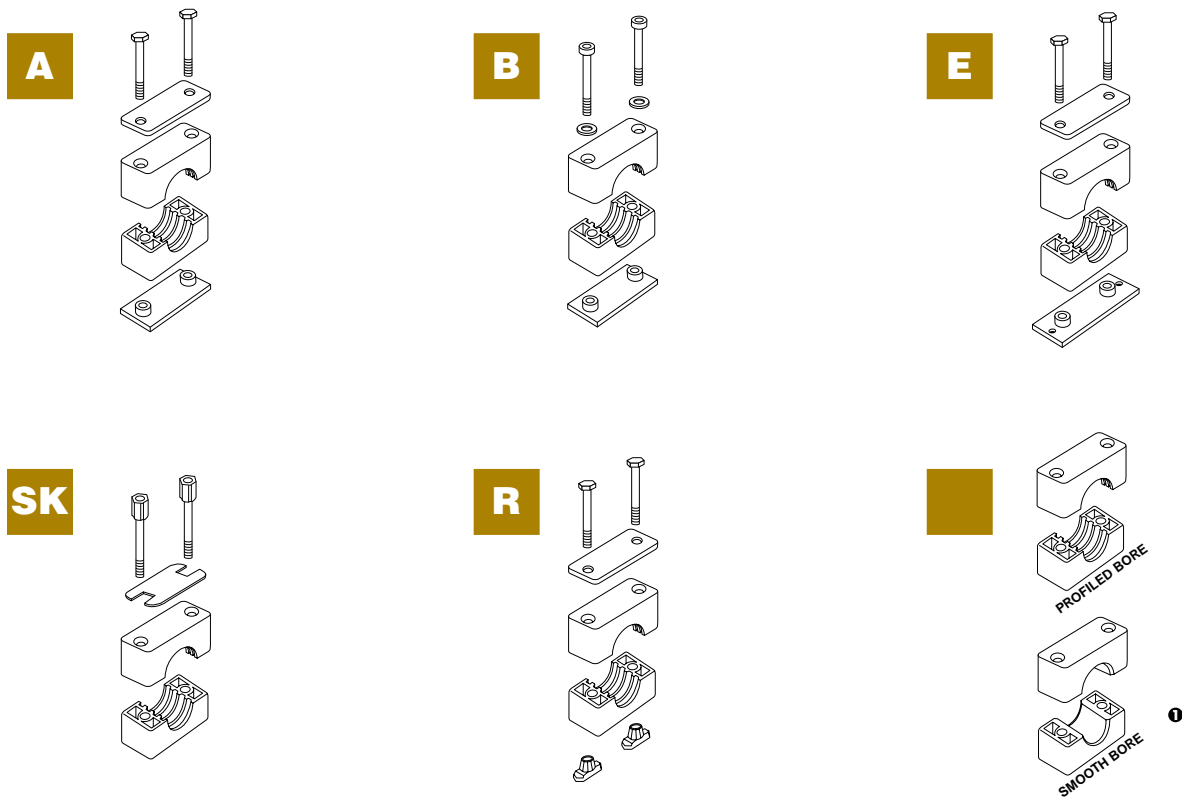
GROUP SIZE
Refer to Chart on Page 87

CLAMP SET ID
Refer to Chart on Page 87

DESCRIPTION	
A	Clamp with Weld Plate & Cover Plate
B	Clamp with Weld Plate & No Cover Plate
SK	Clamp with Stacking Kit
E	Clamp with Elongated Weld Plate & Cover Plate
R	Clamp with Rail Nuts & Cover Plate
	Clamp Set Only

CLAMP SET BORE
Pipe and tube clamp sizes have a profiled bore. For hose and special applications add "H" to the part number for a smooth bore.

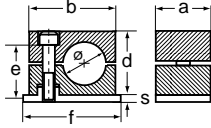
** "S" PREFIX = STAINLESS STEEL HARDWARE



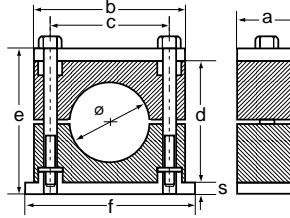
❶ NOT AVAILABLE IN ALL SIZES. CONTACT PCI FOR AVAILABILITY.

STANDARD SERIES – SIZES AND DIMENSIONS

Group 0



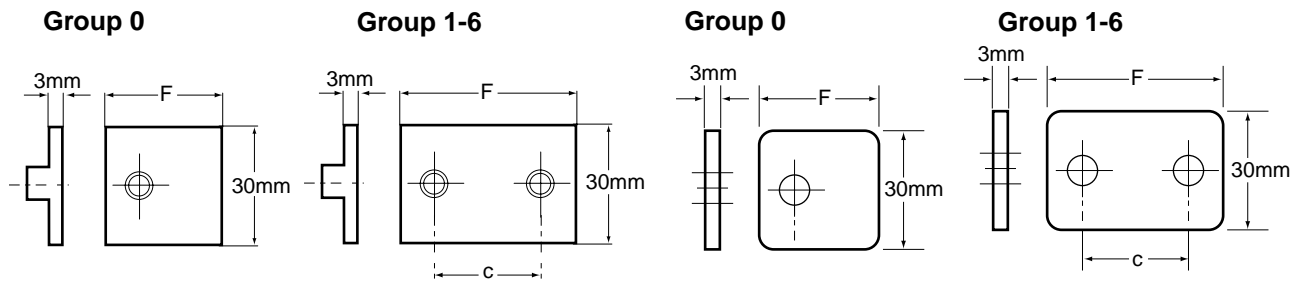
Group 1-6



PCI GROUP	DIN GROUP	DIAMETER				DIMENSIONS							
		Ø mm	Inch	PIPE NOMINAL BORE	TUBE O.D.	PART #	A	B	C	D	F	S	H
0	0	6	0.24	1/8"	5/16"	A0-06-A	30mm 1.18"	28mm 1.10"	-	27mm 1.06"	32mm 1.26"	3mm .12"	33mm 1.30"
		8	0.31			A0-08-A							
		10	0.39			A0-10-A							
		12	0.47			A0-12-A							
1	1	6	0.24	1/8"	1/4"	A1-06-A	30mm 1.18"	34mm 1.34"	20mm .79"	27mm 1.06"	42mm 1.65"	3mm .12"	33mm 1.30"
		6.4	0.25		1/4"	A1-6.4-A							
		8	0.31		5/16"	A1-08-A							
		9.5	0.37		3/8"	A1-9.5-A							
		10	0.39		A1-10-A								
		12	0.47		A1-12-A								
2	2	12.7	0.50	1/4"	1/2"	A2-12.7-A	30mm 1.18"	40mm 1.57"	26mm 1.02"	33mm 1.30"	48mm 1.89"	3mm .12"	39mm 1.54"
		13.5	0.53		A2-13.5-A								
		14	0.55		A2-14-A								
		15	0.59		A2-15-A								
		16	0.63		5/8"	A2-16-A							
		17.2	0.67		3/8"	A2-17.2-A							
		18	0.71		A2-18-A								
		19	0.75		A2-19-A								
3	3	19	0.75	1/2"	3/4"	A3-19-A	30mm 1.18"	45mm 1.69"	33mm 1.30"	35mm 1.38"	55mm 2.17"	3mm .12"	41mm 1.61"
		20	0.79		A3-20-A								
		21.3	0.84		7/8"	A3-21.3-A							
		22	0.87		A3-22-A								
		25	0.98		A3-25-A								
		25.4	1.00		1"	A3-25.4-A							
4	4	26.9	1.06	3/4"	1 1/4"	A4-26.9-A	30mm 1.18"	57mm 2.24"	40mm 1.57"	42mm 1.65"	62mm 2.44"	3mm .12"	48mm 1.89"
		28	1.10			A4-28-A							
		30	1.18			A4-30-A							
		32	1.25			A4-32-A							
5	5	32	1.25	1"	1 1/4"	A5-32-A	30mm 1.18"	68mm 2.68"	52mm 2.05"	58mm 2.28"	74mm 2.91"	3mm .12"	64mm 2.52"
		33.7	1.33		A5-33.7-A								
		35	1.38		A5-35-A								
		38	1.50		1 1/2"	A5-38-A							
		40	1.57		A5-40-A								
		42	1.65		A5-42-A								
		42.4	1.67		1 1/4"	A5-42.4-A							
		45	1.77		A5-45-A								
6	6	44.5	1.75	1 1/2"	1 3/4"	A6-44.5-A	30mm 1.18"	86mm 3.39"	66mm 2.60"	66mm 2.60"	88mm 3.46"	3mm .12"	77mm 2.83"
		48.3	1.90		A6-48.3-A								
		50.8	2.00		2"	A6-50.8-A							

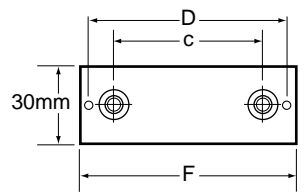
ADD "S" PREFIX FOR STAINLESS STEEL HARDWARE WHEN ORDERING A COMPLETE CLAMP ASSEMBLY.

STANDARD SERIES – COMPONENTS

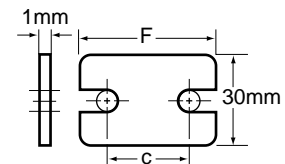


WELD PLATE				COVER PLATE		
GROUP	PART NUMBER	DIMENSIONS		PART NUMBER	DIMENSIONS	
		F	C		F	C
0	WP0	32mm 1.28"	— 0.00"	CP0	28mm 1.10"	— 0.00"
1	WP1	42mm 1.65"	20mm 0.79"	CP1	37mm 1.46"	20mm 0.79"
2	WP2	48mm 1.89"	26mm 1.02"	CP2	43mm 1.69"	26mm 1.02"
3	WP3	55mm 2.17"	33mm 1.30"	CP3	50mm 1.97"	33mm 1.30"
4	WP4	62mm 2.44"	40mm 1.57"	CP4	57mm 2.24"	40mm 1.57"
5	WP5	74mm 2.91"	52mm 2.05"	CP5	69mm 2.72"	52mm 2.05"
6	WP6	88mm 3.46"	66mm 2.60"	CP6	83mm 3.27"	66mm 2.60"

ADD "S" PREFIX FOR STAINLESS STEEL HARDWARE.



ELONGATED WELD PLATE

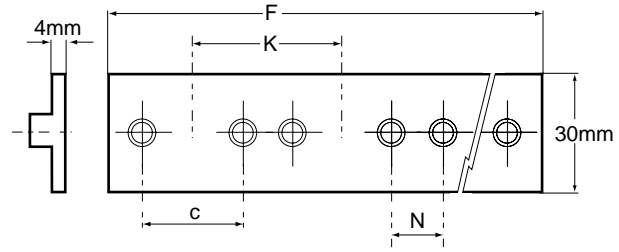
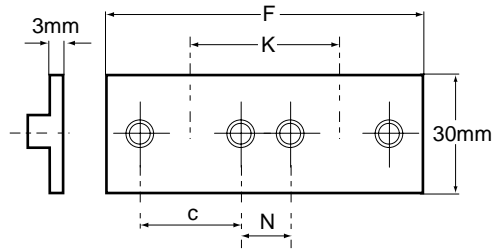


SAFETY PLATE

GROUP	PART NUMBER	DIMENSIONS			PART NUMBER	DIMENSIONS	
		F	c	d		F	c
0	EWP0	46mm 1.81"	— 0.00"	— 0.00"	SP0	28mm 1.10"	— 0.00"
1	EWP1	64mm 2.52"	20mm 0.79"	50mm 2.01"	SP1	34mm 1.34"	20mm 0.79"
2	EWP2	70mm 2.76"	26mm 1.02"	56mm 2.20"	SP2	41mm 1.61"	26mm 1.02"
3	EWP3	78mm 3.07"	33mm 1.30"	64mm 2.52"	SP3	47mm 1.85"	33mm 1.30"
4	EWP4	86mm 3.39"	40mm 1.57"	71mm 2.80"	SP4	57mm 2.24"	40mm 1.57"
5	EWP5	97mm 3.82"	52mm 2.05"	83mm 3.27"	SP5	67mm 2.64"	52mm 2.05"
6	EWP6	112mm 4.41"	66mm 2.60"	100mm 3.94"	SP6	82mm 3.23"	66mm 2.60"

ADD "S" PREFIX FOR STAINLESS STEEL HARDWARE.

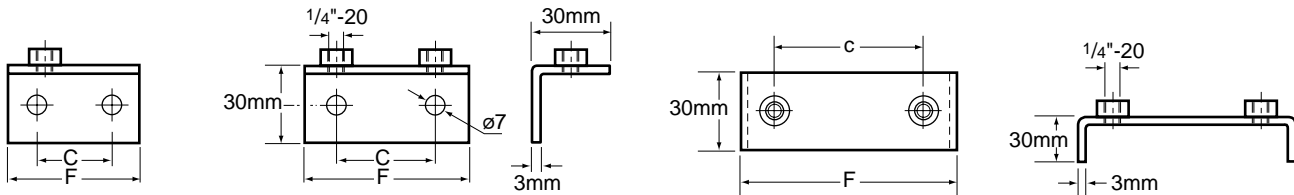
STANDARD SERIES – COMPONENTS



DOUBLE WELD PLATE

MULTIPLE WELD PLATE

GROUP	PART NUMBER	DIMENSIONS				PART NUMBER	DIMENSIONS				NUMBER OF CLAMPS PER PLATE
		F	C	N	K		F	C	N	K	
0	DWP0	61mm 2.40"	—	—	30mm 1.18"	MWP0	306mm 12.05"	—	—	30mm 1.18"	10
1	DWP1	81mm 3.19"	20mm 0.79"	20mm 0.79"	40mm 1.57"	MWP1	404mm 15.91"	20mm 0.79"	20mm 0.79"	40mm 1.57"	10
2	DWP2	91mm 3.58"	26mm 1.02"	18mm 0.71"	44mm 1.73"	MWP2	447mm 17.60"	26mm 1.02"	18mm 0.71"	44mm 1.73"	10
3	DWP3	106mm 4.17"	33mm 1.30"	19mm 0.75"	52mm 2.05"	MWP3	525mm 20.67"	33mm 1.30"	19mm 0.75"	52mm 2.05"	10
4	DWP4	121mm 4.76"	40mm 1.57"	20mm 0.79"	60mm 2.36"	MWP4	303mm 11.93"	40mm 1.57"	20mm 0.79"	60mm 2.36"	5
5	DWP5	148mm 5.83"	52mm 2.05"	23mm 0.91"	75mm 2.95"	MWP5	375mm 14.76"	52mm 2.05"	23mm 0.91"	75mm 2.95"	5
6	DWP6	177mm 6.97"	66mm 2.60"	24mm 0.94"	90mm 3.54"	MWP6	447mm 17.60"	66mm 2.60"	24mm 0.94"	90mm 3.54"	5

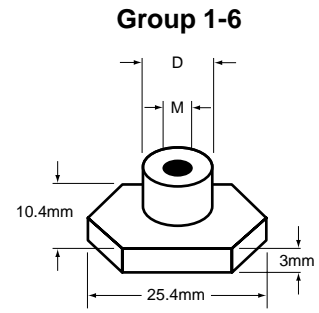
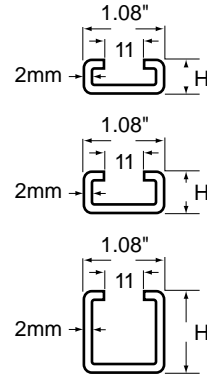
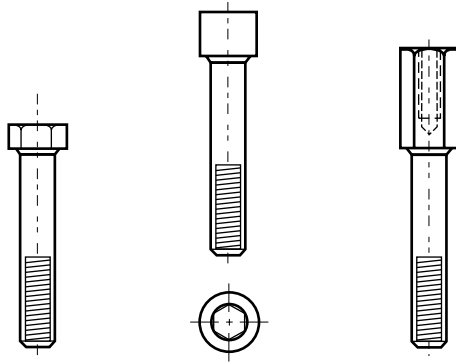


ANGLED WELD PLATE

BRIDGE WELD PLATE

GROUP	PART NUMBER	DIMENSIONS		PART NUMBER	DIMENSIONS	
		F	C		F	C
0	AWP0	32mm 1.26"	14mm 0.55"	—	—	—
1	AWP1	42mm 1.65"	20mm 0.79"	BWP1	48mm 1.89"	20mm 0.79"
2	AWP2	48mm 1.89"	26mm 1.02"	BWP2	54mm 2.13"	26mm 1.02"
3	AWP3	55mm 2.17"	33mm 1.30"	BWP3	62mm 2.44"	33mm 1.30"
4	AWP4	62mm 2.44"	40mm 1.57"	BWP4	71mm 2.80"	40mm 1.57"
5	AWP5	74mm 2.91"	52mm 2.05"	BWP5	85mm 3.35"	52mm 2.05"
6	AWP6	88mm 3.46"	66mm 2.60"	BWP6	98mm 3.86"	66mm 2.60"

STANDARD SERIES – COMPONENTS



GROUP	HEX HEAD BOLT	SOCKET HEAD CAP SCREW	STACKING BOLT	MOUNTING RAIL		RAIL NUT	
	PART NUMBER SIZE	PART NUMBER SIZE	PART NUMBER SIZE	PART NUMBER HEIGHT H	PART NUMBER LENGTH L	PART NUMBER M	PART NUMBER D
0	HB0/1 1/4"-20 x 1 1/4"	SC0/1 1/4"-20 x 3/4"	SB0/1 1/4"-20 x 3/4"	MR-11-1 11 0.43	1M 3.28	RNS/T1 1/4"-20	12mm 0.47"
1	HB0/1 1/4"-20 x 1 1/4"	SC0/1 1/4"-20 x 3/4"	SB0/1 1/4"-20 x 3/4"	MR-11-2 11 0.43	2M 6.56		
2	HB2 1/4"-20 x 1 3/8"	SC2 1/4"-20 x 1"	SB2 1/4"-20 x 1"	MR-14-1 14 0.55	1M 3.28		
3	HB3 1/4"-20 x 1 1/2"	SC3 1/4"-20 x 1 1/4"	SB3 1/4"-20 x 1 1/4"	MR-14-2 14 0.55	1M 6.56		
4	HB4 1/4"-20 x 1 3/4"	SC4 1/4"-20 x 1 3/8"	SB4 1/4"-20 x 1 3/8"	MR-30-1 30 1.18	1M 3.28		
5	HB5 1/4"-20 x 2 1/2"	SC5 1/4"-20 x 2"	SB5 1/4"-20 x 2"	MR-30-2 30 1.18	2M 6.56		
6	HB6 1/4"-20 x 2 3/4"	SC6 1/4"-20 x 2 3/8"	SB6 1/4"-20 x 2 3/8"				

ADD "S" PREFIX FOR STAINLESS STEEL BOLTS.

TWIN SERIES CLAMPS – ORDERING EXAMPLE

****AT4 – 26.9 – A**

CLAMP SET MATERIAL	
Polypropylene (Green)	AT
Polyamide*	MT
Rubber*	RT

* SPECIAL ORDER

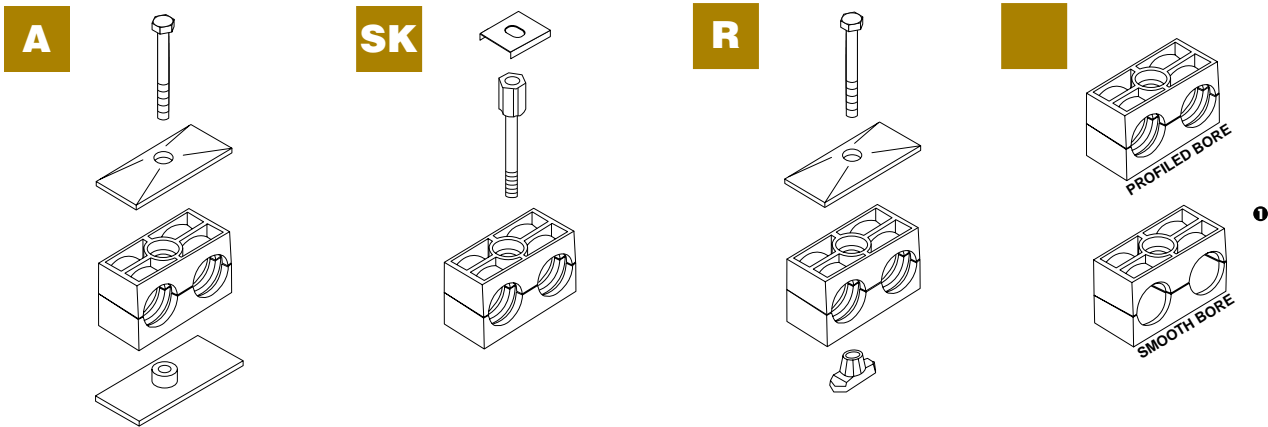
GROUP SIZE
Refer to Chart on Page 92

CLAMP SET ID
Refer to Chart on Page 92

DESCRIPTION	
A	Clamp with Weld Plate & Cover Plate
SK	Clamp with Stacking Kit
R	Clamp with Rail Nuts & Cover Plate
	Clamp Set Only

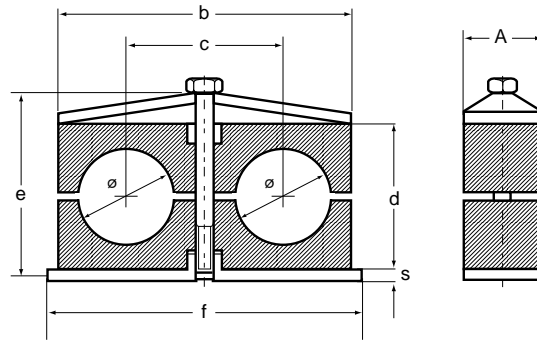
CLAMP SET BORE
Pipe and tube clamp sizes have a profiled bore. For hose and special applications add "H" to the part number for a smooth bore.

**"S" PREFIX = STAINLESS STEEL HARDWARE
AVAILABLE BY SPECIAL ORDER ONLY.



❶ NOT AVAILABLE IN ALL SIZES. CONTACT PCI FOR AVAILABILITY.

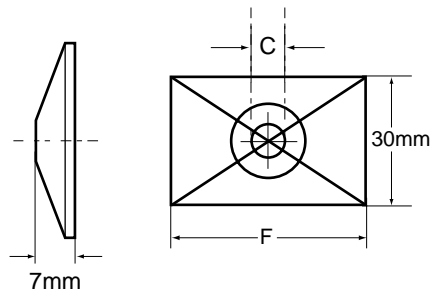
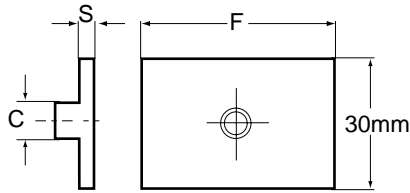
TWIN SERIES – SIZES AND DIMENSIONS



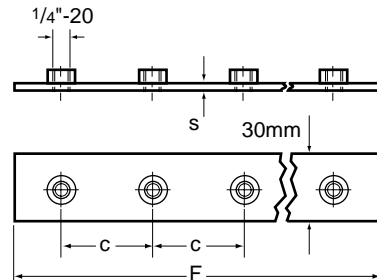
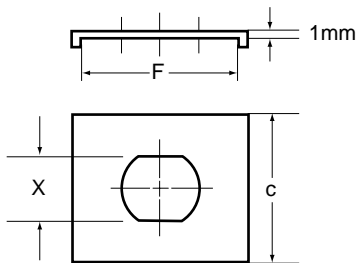
PCI		DIN		DIAMETER			DIMENSIONS								
GROUP	GROUP	ø mm	ø Inch	PIPE NOMINAL BORE	TUBE O.D.	PART #	A	B	C	D	F	S	H		
1	1	6	0.24	1/8"	1/4"	AT1-06-A	30mm 1.18"	37mm 1.46"	20mm .79"	25mm .98"	37mm 1.46"	3mm .12"	35mm 1.36"		
		6.4	0.25			AT1-6.4-A									
		8	0.31			AT1-08-A									
		9.5	0.37			AT1-9.5-A									
		10	0.39			AT1-10-A									
		12	0.47	AT1-12-A											
2	2	12.7	0.50	1/4"	1/2"	AT2-12.7-A	30mm 1.18"	53mm 2.09"	29mm 1.14"	26mm 1.02"	55mm 2.17"	5mm .20"	36mm 1.42"		
		13.5	0.53			AT2-13.5-A									
		14	0.55			AT2-14-A									
		15	0.59			AT2-15-A									
		16	0.63			AT2-16-A									
						17.2								0.67	AT2-17.2-A
		18	0.71	AT2-18-A											
3	3	19	0.75	1/2"	3/4"	AT3-19-A	30mm 1.18"	67mm 2.64"	36mm 1.42"	37mm 1.46"	70mm 2.76"	5mm .20"	47mm 1.85"		
		20	0.79			AT3-20-A									
		21.3	0.84			AT3-21.3-A									
		22	0.87			AT3-22-A									
						25								0.98	AT3-25-A
		25.4	1.00	AT3-25.4-A											
4	4	26.9	1.06	3/4"	1"	AT4-26.9-A	30mm 1.18"	82mm 3.23"	45mm 1.77"	42mm 1.65"	85mm 3.35"	5mm .20"	52mm 2.05"		
		28	1.10			AT4-28-A									
		30	1.18			AT4-30-A									
5	5	32	1.25	1"	1 1/4"	AT5-32-A	30mm 1.18"	106mm 4.17"	56mm 2.20"	54mm 2.13"	110mm 4.33"	5mm .20"	64mm 2.52"		
		33.7	1.33			AT5-33.7-A									
		35	1.38			AT5-35-A									
		38	1.50			AT5-38-A									
						40								1.57	AT5-40-A
						42								1.65	AT5-42-A
		42.4	1.67	AT5-42.4-A											

ADD "S" PREFIX FOR STAINLESS STEEL HARDWARE. SPECIAL ORDER ONLY.

TWIN SERIES – COMPONENTS

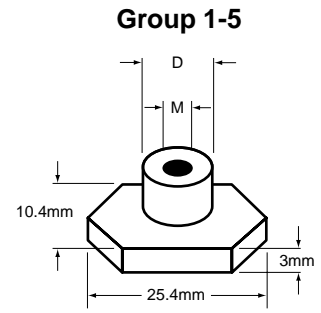
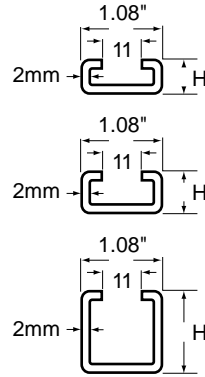
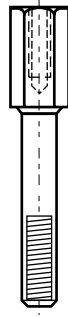
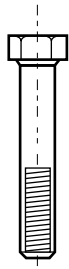


GROUP	PART NUMBER	WELD PLATE			PART NUMBER	COVER PLATE	
		DIMENSIONS F	C	S		DIMENSIONS F	C
1	WPT1	37mm 1.46"	12mm 0.79"	3mm 0.12"	CPT1	35mm 1.38"	7mm 0.28"
2	WPT2	55mm 2.17"	14mm 0.55"	5mm 0.20"	CPT2	52mm 2.05"	9mm 0.35"
3	WPT3	70mm 2.76"	14mm 0.55"	5mm 0.20"	CPT3	66mm 2.60"	9mm 0.35"
4	WPT4	85mm 3.35"	14mm 0.55"	5mm 0.20"	CPT4	81mm 3.19"	9mm 0.35"
5	WPT5	110mm 4.33"	14mm 0.55"	5mm 0.20"	CPT5	105mm 4.13"	9mm 0.35"



GROUP	PART NUMBER	SAFETY PLATE			PART NUMBER	MULTIPLE WELD PLATE			NUMBER OF CLAMPS PER PLATE
		DIMENSIONS F	C	X		DIMENSIONS F	C	S	
1	SPT1	30mm 1.18"	30mm 1.18"	11mm 0.43"	MWPT1	200mm 7.87"	40mm 1.57"	3mm 0.12"	5
2	SPT2	30mm 1.18"	30mm 1.18"	13mm 0.51"	MWPT2	290mm 11.42"	58mm 2.28"	5mm 0.20"	5
3	SPT3	30mm 1.18"	30mm 1.18"	13mm 0.51"	MWPT3	360mm 14.17"	72mm 2.83"	5mm 0.20"	5
4	SPT4	30mm 1.18"	30mm 1.18"	13mm 0.51"	MWPT4	450mm 17.72"	90mm 3.54"	5mm 0.20"	5
5	SPT5	30mm 1.18"	30mm 1.18"	13mm 0.51"	MWPT5	560mm 22.05"	112mm 4.41"	5mm 0.20"	5

TWIN SERIES – COMPONENTS



GROUP	HEX HEAD BOLT	STACKING BOLT	MOUNTING RAIL		RAIL NUT	
	PART NUMBER SIZE	PART NUMBER SIZE	PART NUMBER HEIGHT H	LENGTH L	PART NUMBER M	D
1	HB2/T1 1/4"-20 x 1 3/8"	SBT/1 1/4"-20 x .79"	MR-11-1 11 0.43	1M 3.28	RNS/T1 1/4"-20	12mm 0.47"
2	HBT/2 5/16"-18 x 1 3/8"	SBT/2 5/16"-18 x .79"	MR-14-1 14 0.55	1M 3.28	RNT2/5 5/16"-18	14mm 0.55"
3	HBT/3 5/16"-18 x 1 3/4"	SBT/3 5/16"-18 x 1.14"	MR-14-2 14 0.55	2M 6.56		
4	HBT/4 5/16"-18 x 2"	SBT/4 5/16"-18 x 1.34"	MR-30-1 30 1.18	1M 3.28		
5	HBT/5 5/16"-18 x 2 1/2"	SBT/5 5/16"-18 x 1.85"	MR-30-2 30	2M		
			1.18	6.56		

HEAVY DUTY SERIES CLAMPS – ORDERING EXAMPLE

****AH3 – 33.7 – A**

CLAMP SET MATERIAL	
Polypropylene	A
Aluminum	LH
Polyamide*	MA
Rubber*	RA

* SPECIAL ORDER

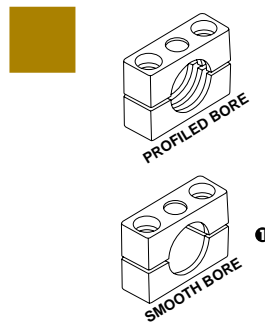
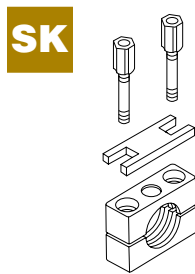
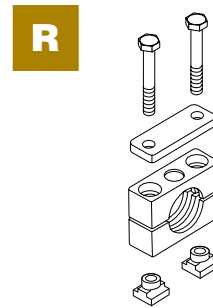
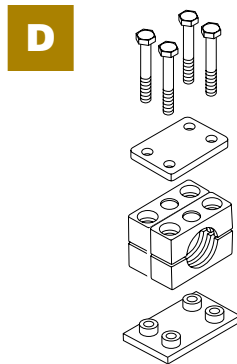
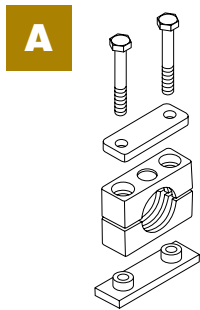
GROUP SIZE
Refer to Chart on Page 96-97

CLAMP SET ID
Refer to Chart on Page 96-97

DESCRIPTION	
A	Clamp with Weld Plate & Cover Plate
SK	Clamp with Stacking Kit
R	Clamp with Rail Nuts & Cover Plate
D	Double Clamp with Weld Plate & Cover Plate
	Clamp Set Only

CLAMP SET BORE
Pipe and tube clamp sizes have a profiled bore. For hose and special applications add “H” to the part number for a smooth bore.

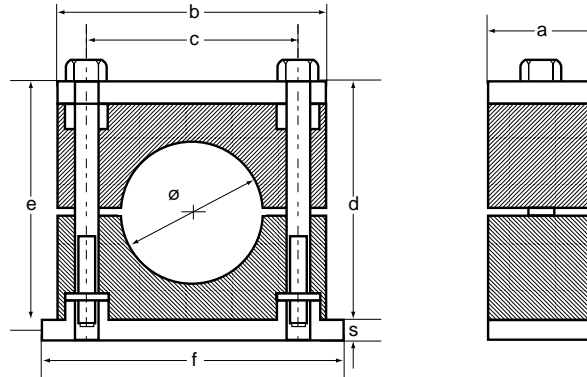
**“S” PREFIX = STAINLESS STEEL HARDWARE. AVAILABLE BY SPECIAL ORDER ONLY.



i NOT AVAILABLE IN ALL SIZES. CONTACT PCI FOR AVAILABILITY.

HEAVY DUTY SERIES – SIZES AND DIMENSIONS

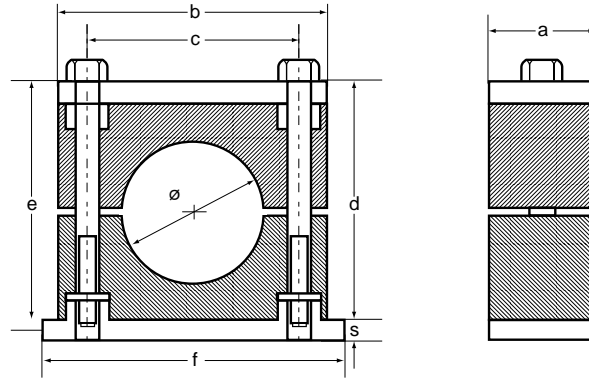
GROUP 1-4



PCI		DIN		DIAMETER			DIMENSIONS						
GROUP	GROUP	Ø mm	Ø Inch	PIPE NOMINAL BORE	TUBE O.D.	PART #	A	B	C	D	F	S	E
1	1	6	0.24			AH1-06-A							
		6.4	0.25		1/4"	AH1-6.4-A							
		8	0.31		5/16"	AH1-08-A							
		9.5	0.37		3/8"	AH1-9.5-A							
		10	0.39	1/8"		AH1-10-A							
		12	0.47			AH1-12-A	30mm	55mm	33mm	32mm	73mm	8mm	48mm
		12.7	0.50		1/2"	AH1-12.7-A	1.18"	2.17"	1.30"	1.26"	2.87"	0.31"	1.89"
		13.5	0.53	1/4"		AH1-13.5-A							
		14	0.55			AH1-14-A							
		15	0.59			AH1-15-A							
16	0.63		5/8"	AH1-16-A									
17.2	0.68	3/8"		AH1-17.2-A									
18	0.71			AH1-18-A									
2	2	19	0.75		3/4"	AH2-19-A							
		20	0.79			AH2-20-A							
		21.3	0.84	1/2"		AH2-21.3-A							
		22	0.87		7/8"	AH2-22-A							
		25	0.98			AH2-25-A	30mm	70mm	45mm	48mm	85mm	8mm	76mm
		25.4	1.00		1"	AH2-25.4-A	1.18"	2.76"	1.77"	1.89"	3.35"	0.31"	2.52"
		26.9	1.06	3/4"		AH2-26.9-A							
		28	1.10			AH2-28-A							
30	1.18			AH2-30-A									
3	3	30	1.18			AH3-30-A							
		32	1.25		1 1/4"	AH3-32-A							
		33.7	1.33	1"		AH3-33.7-A							
		35	1.38			AH3-35-A	30mm	85mm	60mm	60mm	100mm	8mm	76mm
		38	1.50		1 1/2"	AH3-38-A	1.18"	3.35"	2.36"	2.36"	3.94"	0.31"	2.99"
		40	1.57			AH3-40-A							
		42	1.65			AH3-42-A							
42.4	1.67	1 1/4"		AH3-42.4-A									
4	4	38	1.50		1 1/2"	AH4-38-A							
		42	1.65			AH4-42-A							
		42.4	1.67	1 1/4"		AH4-42.4-A							
		44.5	1.75		1 3/4"	AH4-44.5-A							
		48.3	1.90	1 1/2"		AH4-48.3-A							
		50	1.97			AH4-50-A	45mm	120mm	90mm	90mm	140mm	10mm	110mm
		50.8	2.00		2"	AH4-50.8-A	1.77"	4.72"	3.54"	3.54"	5.51"	0.39"	4.33"
		55	2.17			AH4-55-A							
		57	2.24		2 1/4"	AH4-57-A							
		60.3	2.37	2"		AH4-60.3-A							
		63.5	2.50		2 1/2"	AH4-63.5-A							
		65	2.56			AH4-65-A							
70	2.76		2 3/4"	AH4-70-A									

HEAVY DUTY SERIES – SIZES AND DIMENSIONS

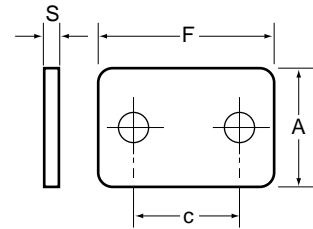
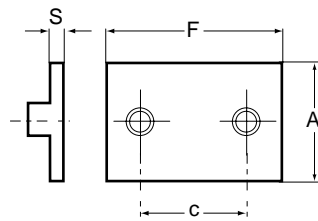
GROUP 5-9



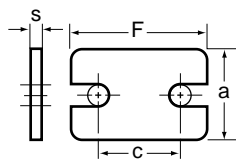
PCI		DIN		DIAMETER			DIMENSIONS						
GROUP	GROUP	Ø mm	Ø Inch	PIPE NOMINAL BORE	TUBE O.D.	PART #	A	B	C	D	F	S	E
5	5	65	2.56	2 1/2"	2 3/4"	AH5-65-A	60mm 2.38"	152mm 5.98"	122mm 4.80"	120mm 4.72"	180mm 7.09"	10mm 0.39"	140mm 5.51"
		70	2.76			AH5-70-A							
		73	2.87			AH5-73-A							
		75	2.95			AH5-75-A							
		76.1	3.00			AH5-76.1-A							
		80	3.15			AH5-80-A							
		82.5	3.25			AH5-82.5-A							
		88.9	3.50			AH5-88.9-A							
6	6	88.9	3.50	3"	3 1/2"	AH6-88.9-A	80mm 3.15"	205mm 8.07"	168mm 6.61"	170mm 6.69"	225mm 8.86"	15mm 0.59"	200mm 7.87"
		100	3.94			AH6-100-A							
		101.6	4.00			AH6-101.6-A							
		108	4.25			AH6-108-A							
		114.3	4.50			AH6-114.3-A							
		127	5.00			AH6-127-A							
133	5.25	AH6-133-A											
7	7	133	5.25	5"	5 1/2"	AH7-133-A	90mm 3.54"	250mm 9.84"	205mm 8.07"	200mm 7.87"	270mm 10.63"	15mm 0.59"	230mm 9.06"
		139.7	5.50			AH7-139.7-A							
		152.4	6.00			AH7-152.4-A							
		165	6.50			AH7-165-A							
168.3	6.63	AH7-168.3-A											
8	8	168.3	6.63	6"	7 5/8"	AH8-168.3-A	120mm 4.72"	320mm 12.60"	265mm 10.43"	270mm 10.63"	340mm 13.39"	25mm 0.98"	320mm 12.60"
		177.8	7.00			AH8-177.8-A							
		193.7	7.63			AH8-193.7-A							
		203	8.00			AH8-203-A							
		216	8.50			AH8-216-A							
219.1	8.63	AH8-219.1-A											
9*	9*	219.1	8.63	8"	8"	AH9-219.1-A	160mm 6.30"	470mm 18.50"	395mm 15.55"	410mm 16.14"	520mm 20.47"	30mm 1.18"	470mm 18.50"
		244.5	9.63			AH9-244.5-A							
		273	10.75			AH9-273-A							
		323.9	12.75			AH9-323.9-A							

* SPECIAL ORDER

HEAVY DUTY SERIES – COMPONENTS

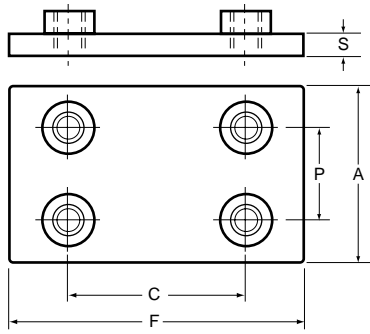


GROUP	PART NUMBER	WELD PLATE				COVER PLATE				
		DIMENSIONS		C	S	PART NUMBER	DIMENSIONS			
		A	F						A	F
1	WPH1	30mm 1.18"	75mm 2.95"	3mm 1.30"	8mm 0.31"	CPH1	30mm 1.18"	55mm 2.17"	33mm 1.30"	8mm 0.31"
2	WPH2	30mm 1.18"	87mm 3.43"	45mm 1.77"	8mm 0.31"	CPH2	30mm 1.18"	70mm 2.76"	45mm 1.77"	8mm 0.31"
3	WPH3	30mm 1.18"	102mm 4.02"	60mm 2.36"	8mm 0.31"	CPH3	30mm 1.18"	85mm 3.35"	60mm 2.36"	8mm 0.31"
4	WPH4	45mm 1.77"	140mm 5.51"	90mm 3.54"	10mm 0.39"	CPH4	45mm 1.77"	120mm 4.72"	90mm 3.54"	10mm 0.39"
5	WPH5	60mm 2.36"	180mm 7.09"	122mm 4.80"	10mm 0.39"	CPH5	60mm 2.36"	152mm 5.98"	122mm 4.80"	10mm 0.39"
6	WPH6	80mm 3.15"	225mm 8.86"	168mm 6.61"	15mm 0.59"	CPH6	80mm 3.15"	205mm 8.07"	168mm 6.61"	15mm 0.59"
7	WPH7	90mm 3.54"	270mm 10.63"	205mm 8.07"	15mm 0.59"	CPH7	90mm 3.54"	250mm 9.84"	205mm 8.07"	15mm 0.59"
8	WPH8	120mm 4.72"	340mm 13.39"	265mm 10.43"	25mm 0.98"	CPH8	120mm 4.72"	320mm 12.60"	265mm 10.43"	25mm 0.98"
9	WPH9	160mm 6.30"	520mm 20.47"	395mm 15.55"	30mm 1.18"	CPH9	160mm 6.30"	470mm 18.50"	395mm 15.55"	30mm 1.18"

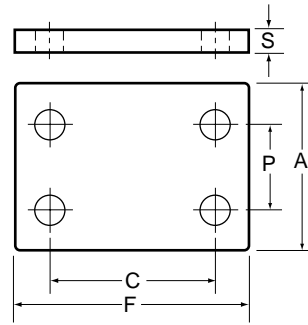


GROUP	PART NUMBER	SAFETY PLATE			
		DIMENSIONS			
		A	F	C	S
1	SPH1	30mm 1.18"	55mm 2.17"	33mm 1.30"	8mm 0.31"
2	SPH2	30mm 1.18"	70mm 2.76"	45mm 1.77"	8mm 0.31"
3	SPH3	30mm 1.18"	85mm 3.35"	60mm 2.36"	8mm 0.31"
4	SPH4	45mm 1.77"	120mm 4.72"	90mm 3.54"	10mm 0.39"
5	SPH5	60mm 2.36"	152mm 5.98"	122mm 4.80"	10mm 0.39"

HEAVY DUTY SERIES – COMPONENTS



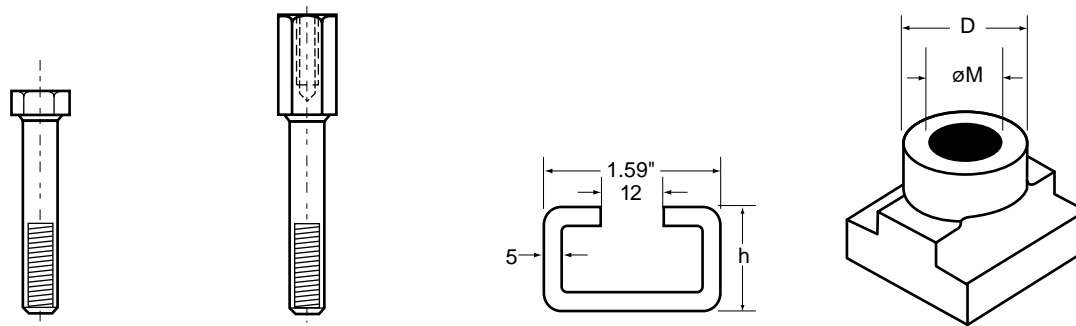
DOUBLE WELD PLATE



DOUBLE COVER PLATE

GROUP	PART NUMBER	DIMENSIONS					PART NUMBER	DIMENSIONS				
		A	F	S	C	P		A	F	C	S	P
1	WPHD1	60mm 2.36"	74mm 2.91"	8mm 0.31"	33mm 1.30"	31mm 1.22"	CPHD1	60mm 2.36"	56mm 2.20"	8mm 0.31"	33mm 1.30"	31mm 1.22"
2	WPHD2	60mm 2.36"	85mm 3.39"	8mm 0.31"	45mm 1.77"	31mm 1.22"	CPHD2	60mm 2.36"	70mm 2.76"	8mm 0.31"	45mm 1.77"	31mm 1.22"
3	WPHD3	60mm 2.36"	100mm 3.94"	8mm 0.31"	60mm 2.36"	31mm 1.22"	CPHD3	60mm 2.36"	85mm 3.35"	8mm 0.31"	60mm 2.36"	31mm 1.22"
4	WPHD4	90mm 3.54"	140mm 5.51"	10mm 0.39"	90mm 3.54"	46mm 1.81"	CPHD4	90mm 3.54"	116mm 4.57"	10mm 0.39"	90mm 3.54"	46mm 1.81"
5	WPHD5	120mm 4.72"	160mm 7.09"	10mm 0.39"	122mm 4.80"	61mm 2.40"	CPHD5	120mm 4.72"	153mm 6.02"	10mm 0.39"	122mm 4.80"	61mm 2.40"

HEAVY DUTY SERIES – COMPONENTS



GROUP	HEX HEAD BOLT	STACKING BOLT	MOUNTING RAIL		RAIL NUT	
	PART NUMBER SIZE	PART NUMBER SIZE	HEIGHT H	PART NUMBER LENGTH L	PART NUMBER M	PART NUMBER D
1	HBH1 3/8"-16 x 1 3/4"	SBH1 3/8"-16 x 1.02"	22 0.87	MRH-1 1M 3.28'	RNH1/3 3/8"-16	18 0.71
2	HBH2 3/8"-16 x 2 1/4"	SBH2 3/8"-16 x 1.61"	22 0.87	MRH-2 2M 6.56'	RNH1/3 3/8"-16	18 0.71
3	HBH3 3/8"-16 x 2 3/4"	SBH3 3/8"-16 x 2.05"			RNH1/3 3/8"-16	18 0.71
4	HBH4 7/16"-14 x 4"	SBH4 7/16"-14 x 3.27"			RNH4 7/16"-14	20 0.79
5	HBH5 5/8"-11 x 5 1/4"	SBH5 5/8"-11 x 4.33"				
6	HBH6 3/4"-10 x 7 1/2"					
7	HBH7 7/8"-9 x 8 1/2"					
8	HBH8 1 1/8"-7 x 12"					
9	HBH9 1 1/8"-7 x 17 1/2"					